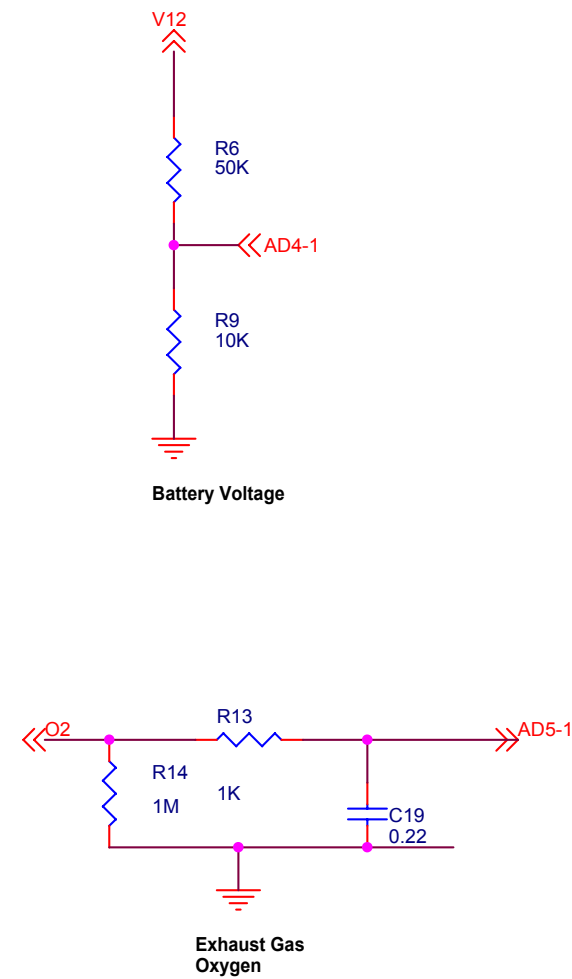
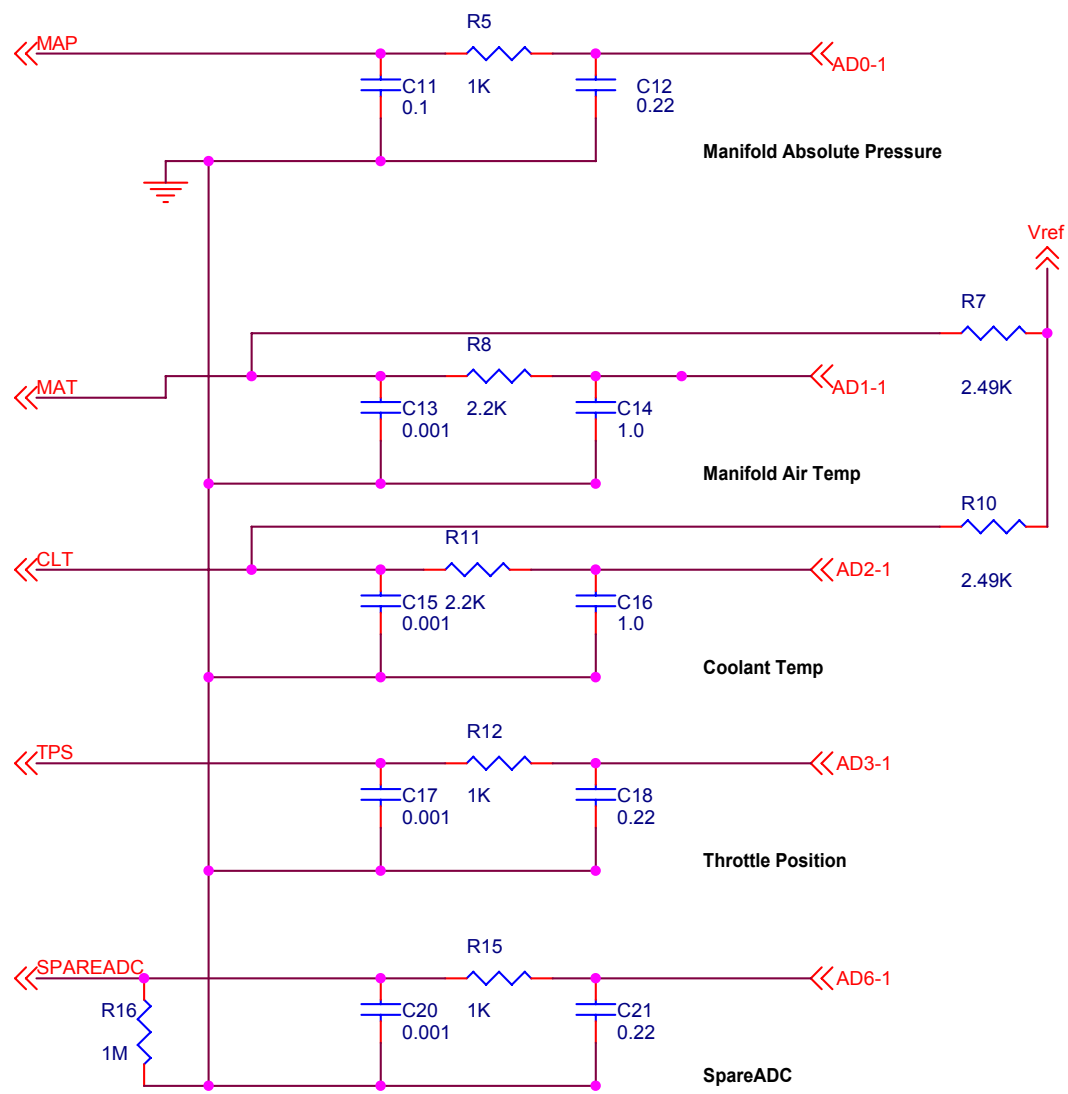
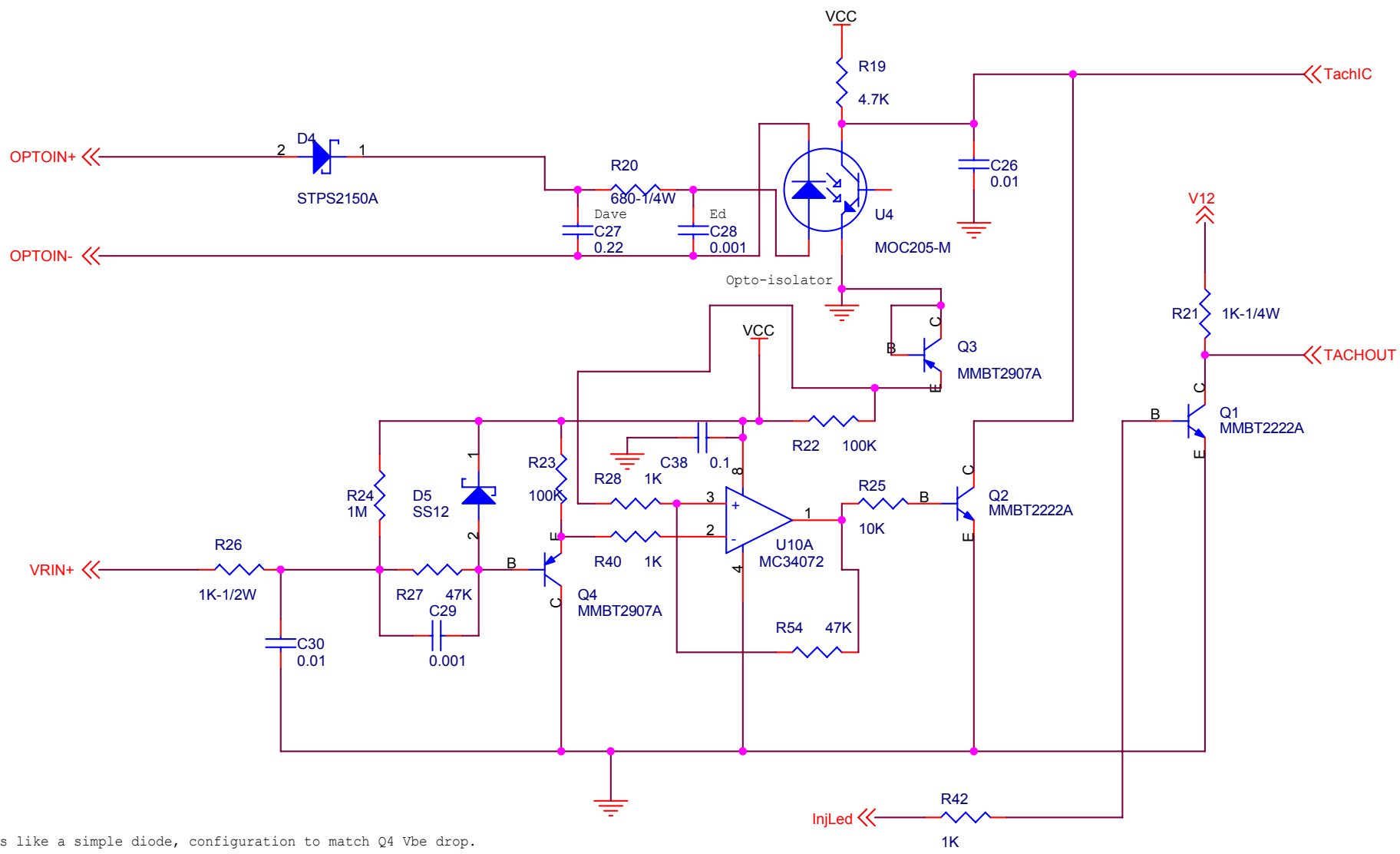


Title		
MicroSquirt - CPU - B. A. Bowling & A. C. Grippo		
Size	Document Number	Rev
A	Rev 1.0	1.0
Date:	Thursday, May 17, 2007	Sheet 1 of 10



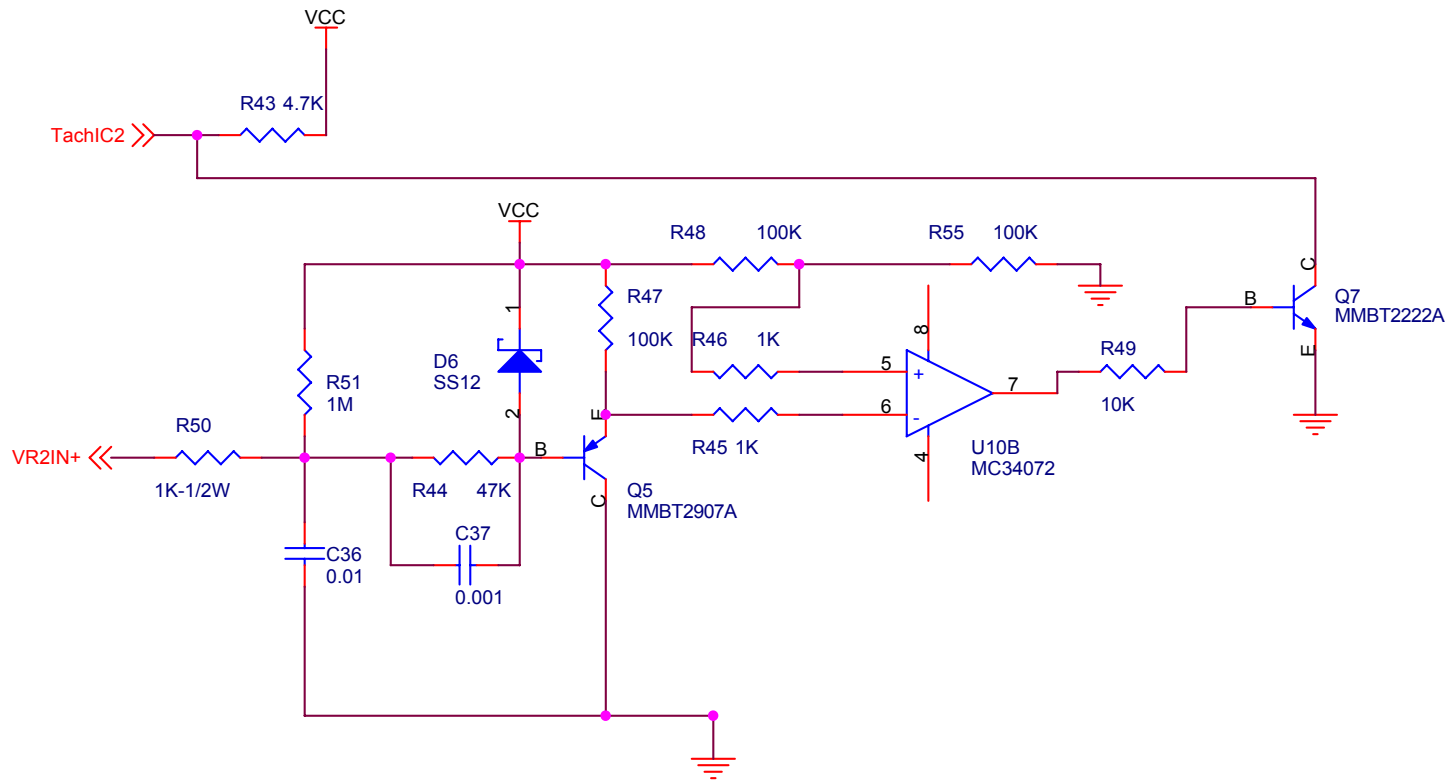
Title		
MicroSquirt - Inputs - B. A. Bowling & A. C. Grippo		
Size	Document Number	Rev
A	Rev 1.0	1.0
Date:	Sunday, July 22, 2007	Sheet 2 of 10

Title MicroSquirt - Tach Inputs - B. A. Bowling & A. C. Grippo		
Size A	Document Number Rev 1.0	Rev 1.0
Date: Sunday, July 22, 2007	Sheet 4 of 10	

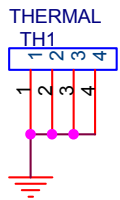
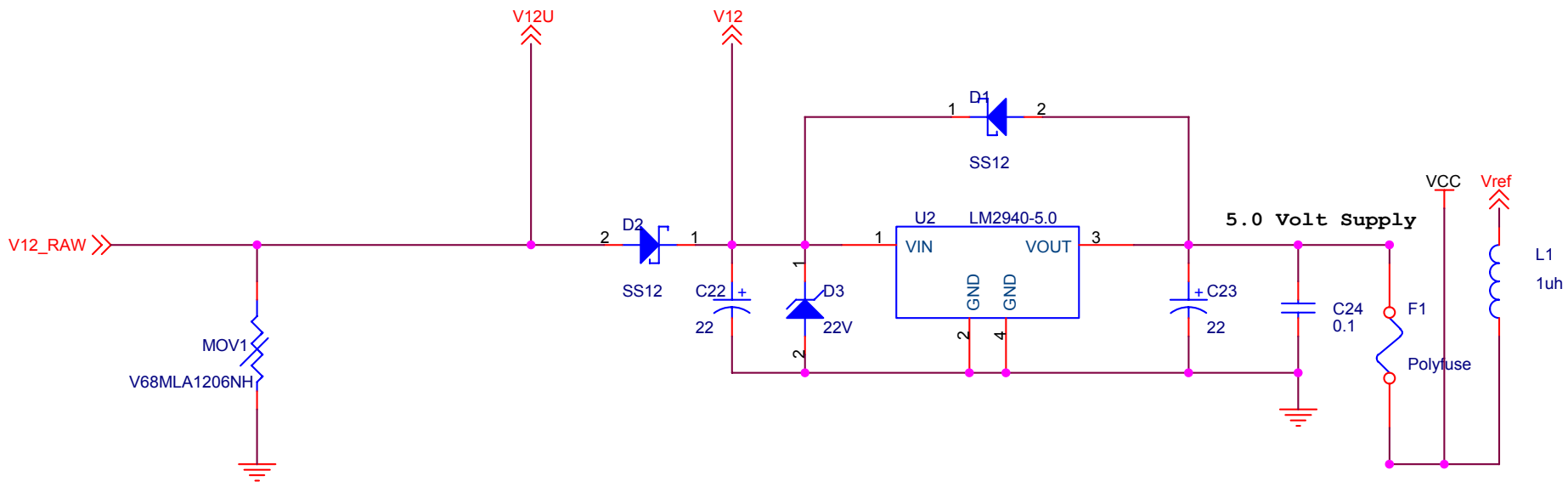


Note: Q3 acts like a simple diode, configuration to match Q4 Vbe drop.

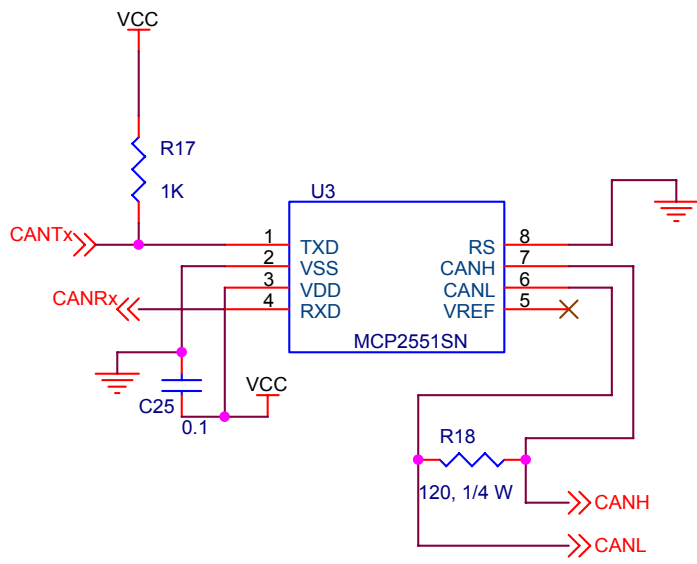
Note: Threshold trip point = $((5V * R55) / (R48 + R55)) - 0.7V = 1.8V$



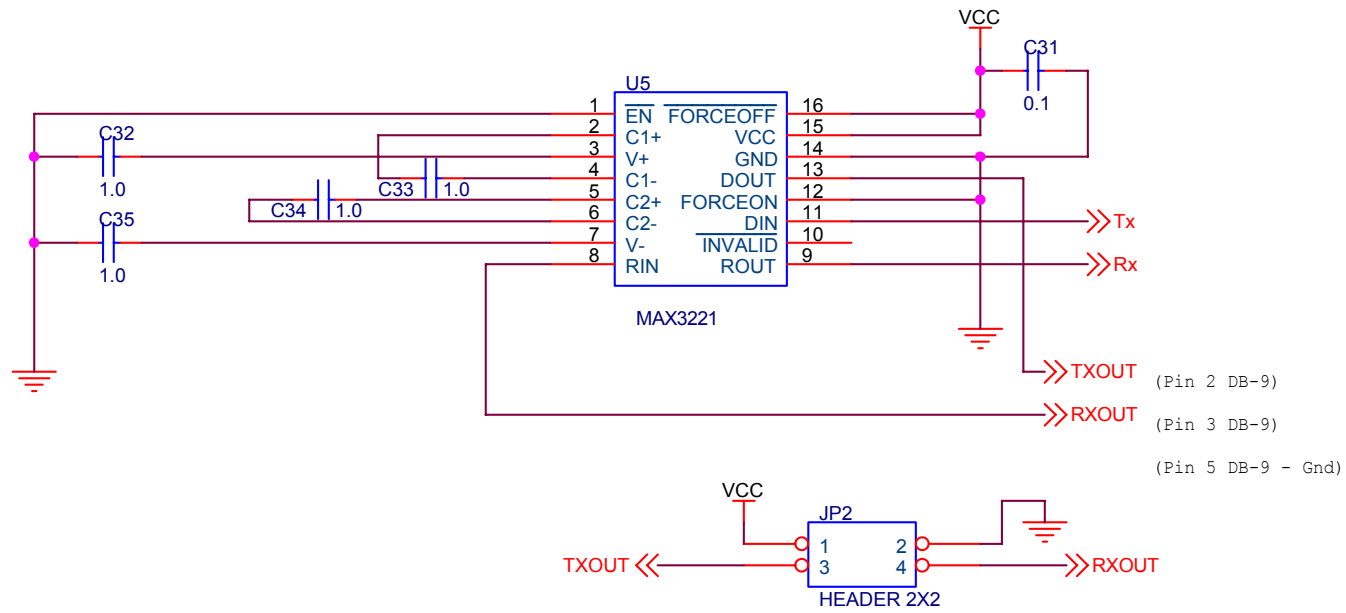
Title		
MicroSquirt - Tach2 - B.A. Bowling & A.C. Grippo		
Size	Document Number	Rev
A	Rev 1.0	1.0
Date:	Sunday, July 22, 2007	Sheet 4 of 10



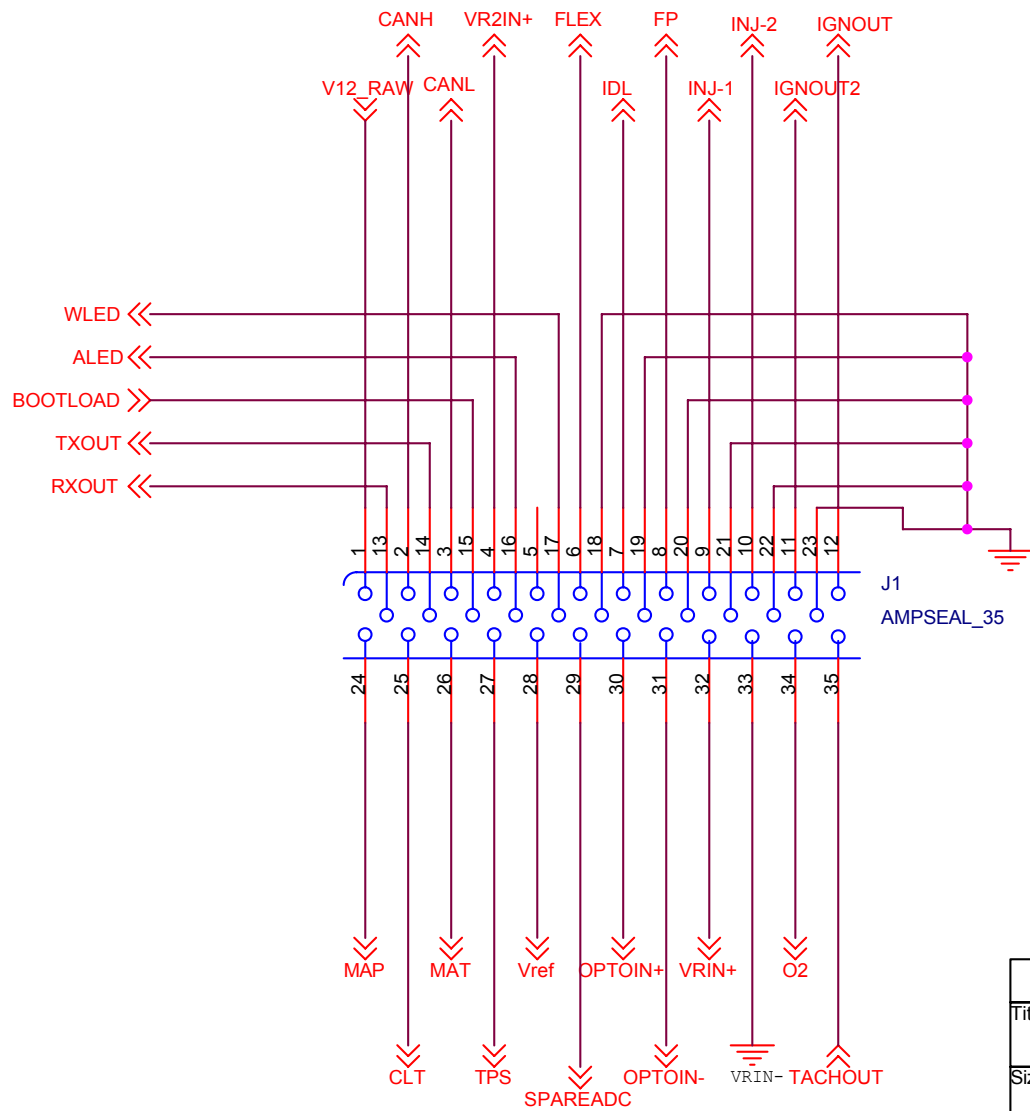
Title		
MicroSquirt - Pwr - B. A. Bowling & A. C. Grippo		
Size A	Document Number Rev 1.0	Rev 1.0
Date:	Sunday, July 22, 2007	Sheet 5 of 10



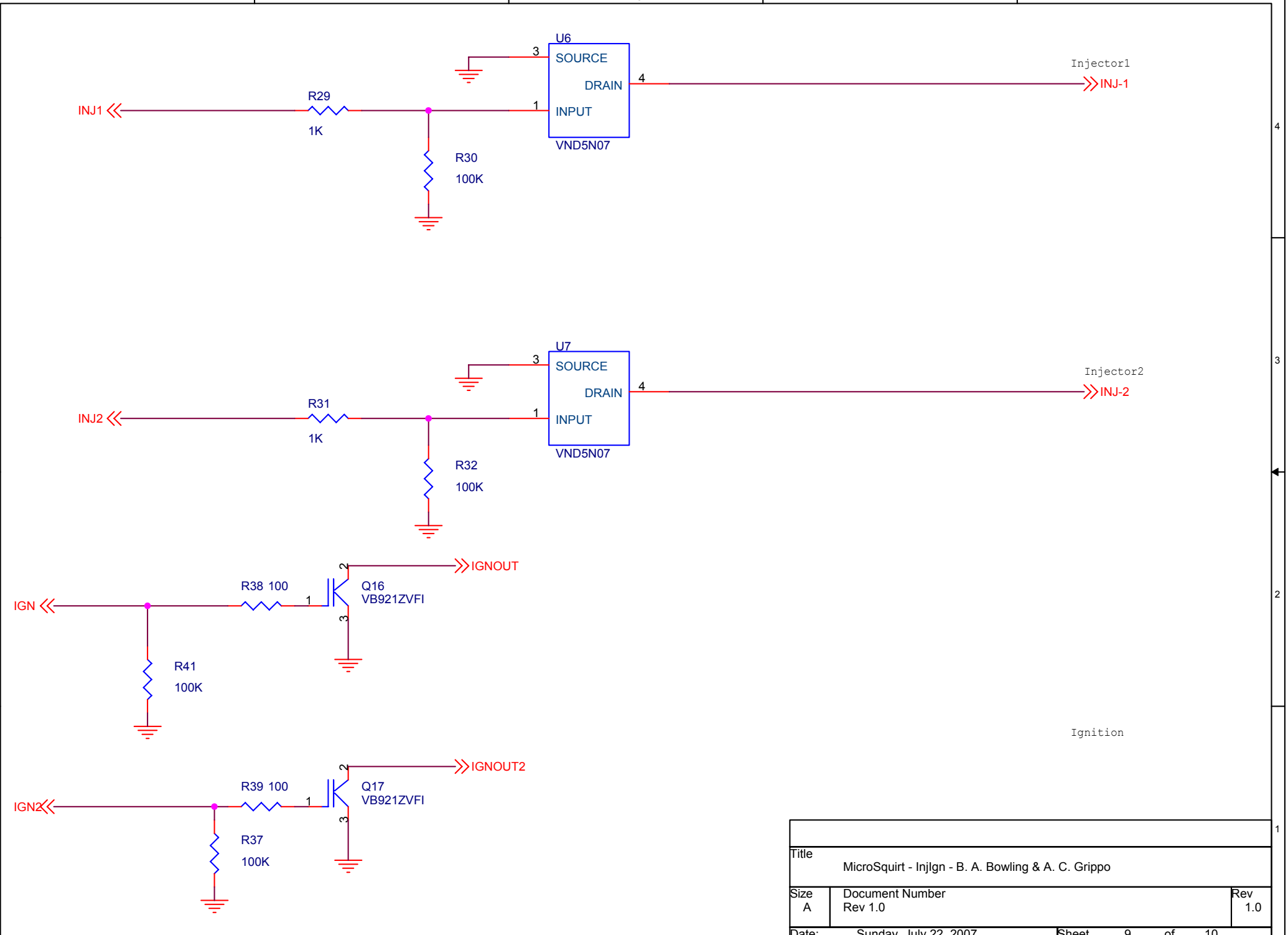
Title		
MicroSquirt - CAN - B. A. Bowling & A. C. Grippo		
Size	Document Number	Rev
A	Rev 1.0	1.0
Date:	Sunday, July 22, 2007	Sheet 6 of 10



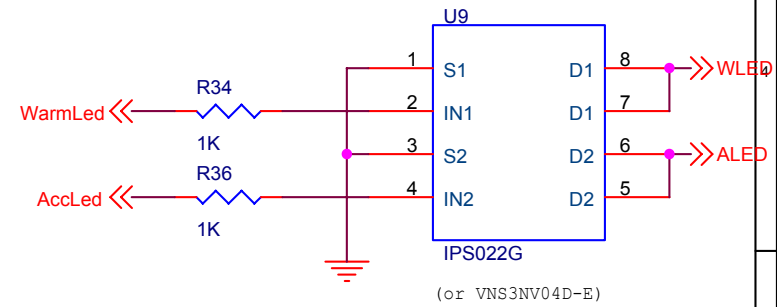
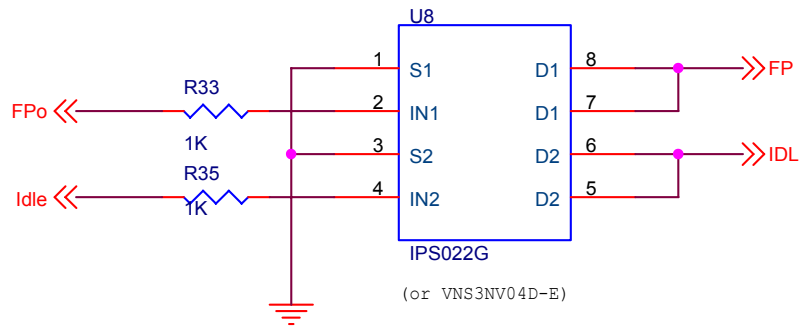
Title		
MicroSquirt - Serial - B. A. Bowling & A. C. Grippo		
Size	Document Number	Rev
A	Rev 1.0	1.0
Date:	Sunday, July 22, 2007	Sheet 7 of 10



Title		
MicroSquirt - Connector - B. A. Bowling & A. C. Grippo		
Size	Document Number	Rev
A	Rev 1.0	1.0
Date:	Thursday, May 17, 2007	Sheet 8 of 10



Title		
MicroSquirt - InjIgn - B. A. Bowling & A. C. Grippo		
Size	Document Number	Rev
A	Rev 1.0	1.0
Date:	Sunday, July 22, 2007	Sheet 9 of 10



Title		
MicroSquirt - Outputs - B. A. Bowling & A. C. Grippo		
Size	Document Number	Rev
A	Rev 1.0	1.0
Date:	Sunday, July 22, 2007	Sheet 10 of 10